

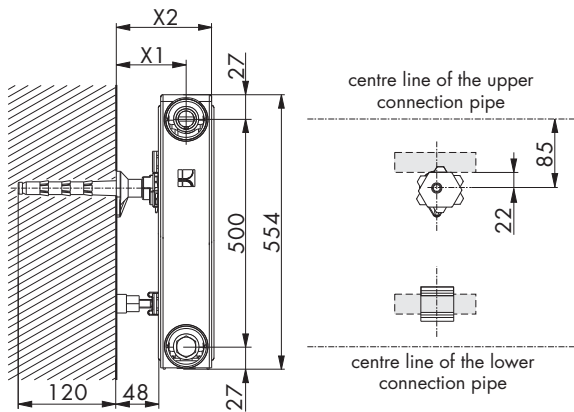


RADIK® KLASIK - R

Fitting data

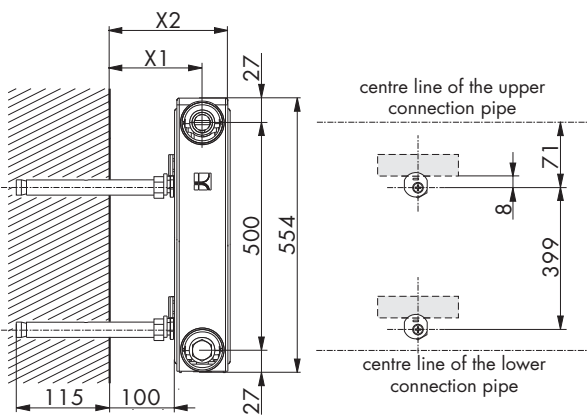
The Z-U140 bracket can be used for fixing the radiator at a fixed distance of the radiator from the wall of 48 mm, or the Z-U290 bracket with variable distance of up to 100 mm from the wall.

Z-U140 bracket



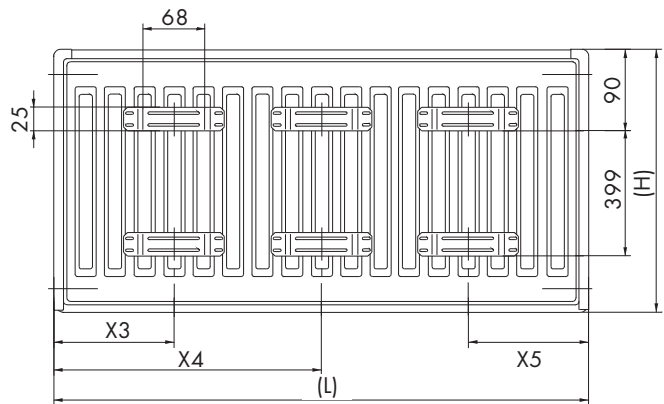
Type	20 R	21 R	22 R	33 R
X1	81	81	98	98
X2	114	114	148	203

Z-U290 bracket



Type	20 R	21 R	22 R	33 R
X1	133	133	150	150
X2	166	166	200	255

Fitting data



Length L [mm]	400	500 ÷ 1600	1800	2000	2300	2600	3000
X3	133	133	133	133	133	133	133
X4	-	-	900	1000	1133	1300	1500
X5	133	133	133	133	133	133	133

Basic technical data

Type	20 R	21 R	22 R	33 R
Height H [mm]	554	554	554	554
Radiator weight [kg/m]	22,6	28,0	34,6	52,4
Water volume [l/m]	5,5	5,5	5,5	8,2
Flow coefficient A _r [m ²]	1,0 × 10 ⁻⁴ (DN 15)	1,0 × 10 ⁻⁴ (DN 15)	1,0 × 10 ⁻⁴ (DN 15)	1,18 × 10 ⁻⁴ (DN 15)
Resistance coefficient ξ _r [-]	8,5 (DN 15)	8,5 (DN 15)	8,5 (DN 15)	5,8 (DN 15)
Standard heat output [W/m]	914	1210	1576	2257
Temperature exponent n [-]	1,3010	1,3300	1,3344	1,3364

Manufactured by:

KORADO, a. s.
 Bří Hubálků 869, 560 02 Česká Třebová
 Czech Republic
 E-Mail: info@korado.cz
<http://www.korado.com>