

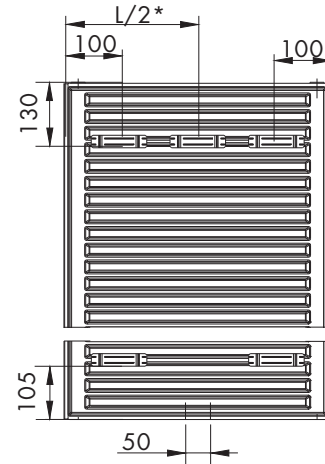
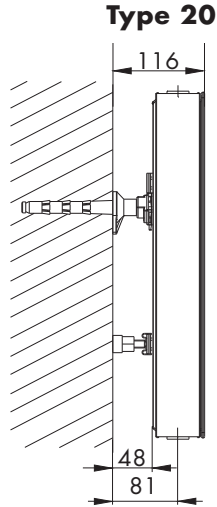
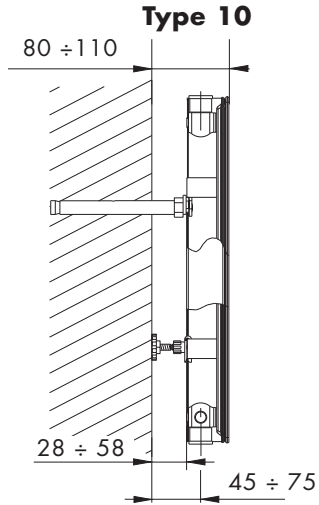


Fixation

For fixing to the wall, we recommend use of the 18/120 (Z-U144) drill-in bracket - always 2 brackets. When using Z-U140 and Z-U300 brackets, the required number of brackets is the same as the number of upper fixing hangers. When using the Z-U320 bracket, you must always use four brackets.

Fixation

Recommended mounting brackets - type	Code for ordering	Type 10	Type 20
Drill-in bracket 15/120	Z-U140		X
Drill-in bracket 18/120	Z-U144	X	X
Simple wall bracket	Z-U320	X	X
Simple wall bracket - angled	Z-U300	X	X



* valid for Type 20 with length 600 and 900 mm