



KORATHERM® INFORMATION FOR WALL MOUNTING

Mounting on the wall

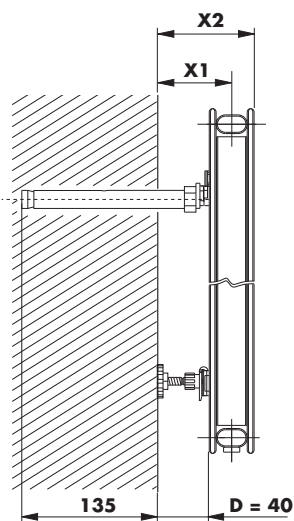
Koratherm decorative radiators have two upper and two lower hangers welded to the back of the radiator, with the exception of models 10, 11, and 20 with a length of L= 144 mm and model 11 with a length of L=218 mm. For these models, there is only one upper and one lower hanger.

The HORIZONTAL model with a length of L=1800 mm or longer has up to 6 welded strips.

The minimum number of the brackets shown in this catalog under individual bracket types has been stipulated by calculating the weight of the radiator, the heat-transfer agent, plus an added „random load weight“ of 80 kg.

When choosing another type of bracket than the one mentioned in the catalogue, it is necessary to check the maximum vertical load allowed for the bracket. The necessary information about the maximum vertical load for individual brackets is listed in the KORAMONT catalogue.

Positioning



Type	K10V K10VM K10H K10HM K10R	K11V K11VM K11H K11HM	K20V K20VM K20H K20HM K20R	K21H K21HM	K22H K22HM
X1 [mm]	59	59	77	77	77
X2 [mm]	96	96	114	114	157

Values **X1** and **X2** are dependent on the type of fixing bracket actually used.

Table of sizes

KORATHERM VERTIKAL, KORATHERM VERTIKAL - M					
	L [mm]	144	218	366 ÷ 884	958
	K10V K10VM K20V K20VM	A	125	125	125
B		100	100	100	100
C		72	72	72	72
C*		-	72	72	72
D		72	72	72	72
D*		-	72	72	72
K11V K11VM	A	125	125	125	125
	B	100	100	100	100
	C	72	109	90	127
	C*	-	-	90	127
	D	72	109	90	127
	D*	-	-	90	127

18/120 Drilled bracket

For mounting on the wall, we recommend using the 18/120 drilled bracket (order no. Z-U144.)



- The set includes two brackets and two supports
- Metal parts are galvanized
- Preferably for use on walls made from solid or perforated bricks or cellular concrete
- For drilling into walls, it is necessary to use a \varnothing 18 mm drill bit
- Maximum vertical load is 1000 N at D = 50 mm

Number of brackets

For mounting the radiators, it is always necessary to use a minimum of two 18/120 drilled brackets; for radiators 1800 mm in length or longer, use a minimum of three brackets.

Ordering brackets

Type	Order number
18/120 Drilled bracket	Z - U144

Location of hangers VERTIKAL and REFLEX

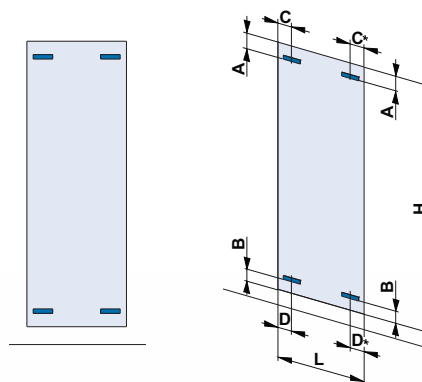


Table of sizes

KORATHERM REFLEX					
	L [mm]	514	662	810	958
	K10R K20R	A	125	125	125
B		100	100	100	100
C		72	72	72	72
C*		72	72	72	72
D		72	72	72	72
D*		72	72	72	72