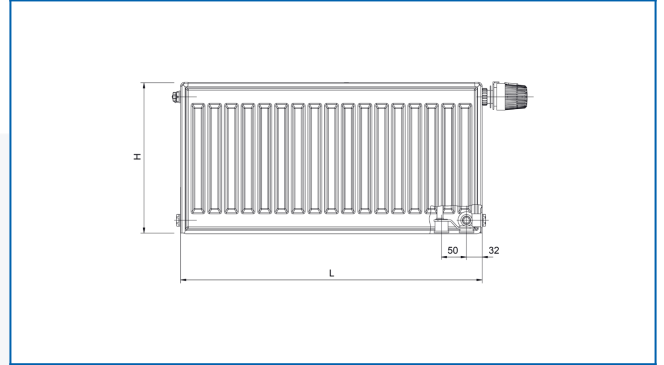


RADIK VK-Z

Zinc-coated panel radiator with right bottom connection



Entered filters

Heat output: $t_1: 75\text{ °C} \mid t_2: 65\text{ °C} \mid t_i: 20\text{ °C} \mid \Delta t: 50\text{ °C}$

