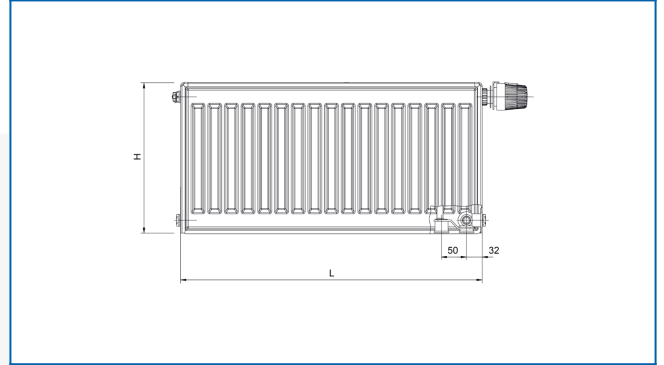


RADIK VKU

Steel panel radiator with right or left bottom connection



Entered filters

Heat output: $t_1: 75\text{ °C}$ | $t_2: 65\text{ °C}$ | $t_r: 20\text{ °C}$ | $\Delta t: 50\text{ °C}$

